



SALEH AJLAN AND BRO. FOR TRADING AND TRADING AGENCIES.

Address: Yemen- Aden -Dar Saad street.
E-mail: salehajlan1979@gmail.com
Tel: +967776977773.01636071

WWW.ajlantrading.net

CATALOG

CONTENTS



SD

PAGE
01-04



SR

PAGE
05



HSPI

PAGE
06



HSNP

PAGE
07



6PSS

PAGE
08

Advantages



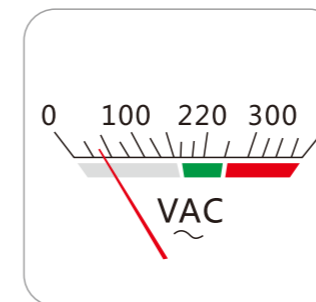
All pump use **angular contact** bearing



All the pump screw use **304** stainless steel



heat resisting copper wire,
can reach and exceed to **200 degree**



The motor can be started at **35V**



Food Machinery Oil:
Oil Leaking, Water Safe



Use carbon graphite and silicon
carbide mechanical seal

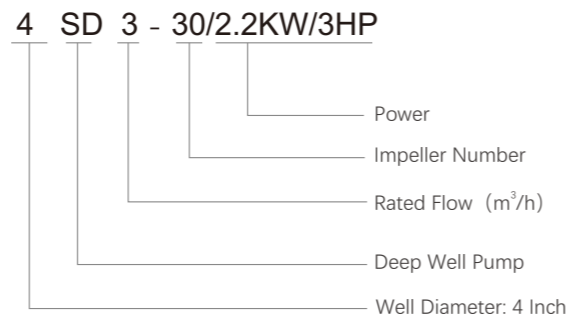
SD

Applications

For water supply from wells or reservoirs.
For domestic use, for civil and industrial applications.
For garden use and irrigation.

Motor and Pump

Rewindable motor
Single-phase: 220V-240V/50Hz
Equip with start control box or digital auto-control box
Pumps are designed by casing stressed
Curve tolerance according to ISO 9906



Material Selection

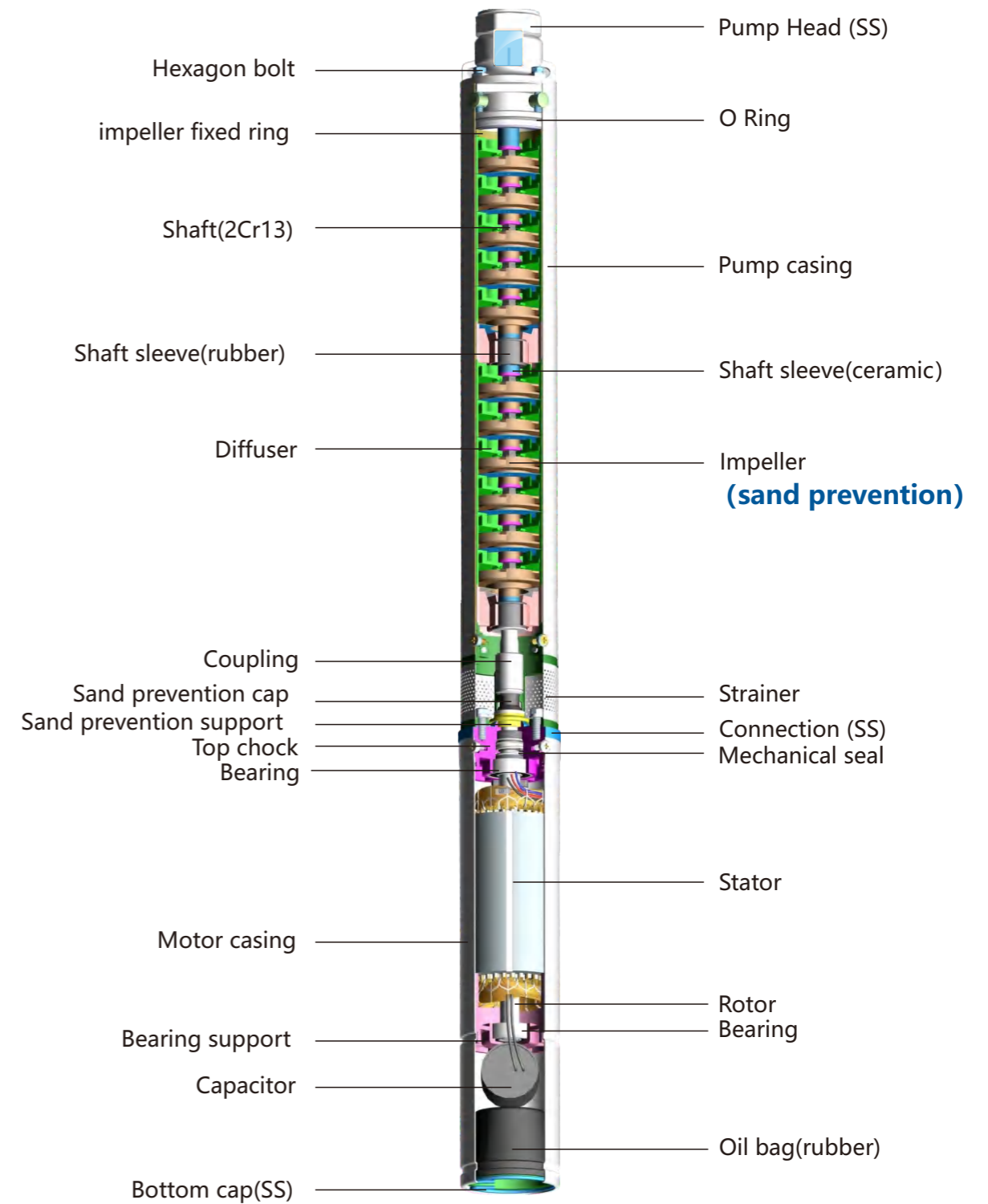


1 Material: Brass
(First selection)



2 Material: Cast iron

Structure Chart By 3D Technology



4SD

PERFORMANCE DATA 50Hz

MODEL	Motor Power		Voltage (V)	Rated Flow (m³/h)	Rated Head (M)	Outlet (INCH)
	KW	HP				
4SD3-30/2.2KW/3HP	2.2	3	/	3	151	1.25"
4SDM3-35/3KW/4HP	3	4	/	3	177	1.25"
4SD3-45/4KW/5.5HP	4	5.5	/	3	227	1.25"
4SD3-60/5.5KW/7.5HP	5.5	7.5	/	3	303	1.25"

PERFORMANCE DATA 50Hz

MODEL	Motor Power		Voltage (V)	Rated Flow (m³/h)	Rated Head (M)	Outlet (INCH)
	KW	HP				
4SD4-24/2.2KW/3HP	2.2	3	/	4	116	1.5"
4SD4-32/3KW/4HP	3	4	/	4	155	1.5"
4SD4-40/4KW/5.5HP	4	5.5	/	4	194	1.5"
4SD4-50/5.5KW/7.5HP	5.5	7.5	/	4	242	1.5"

PERFORMANCE DATA 50Hz

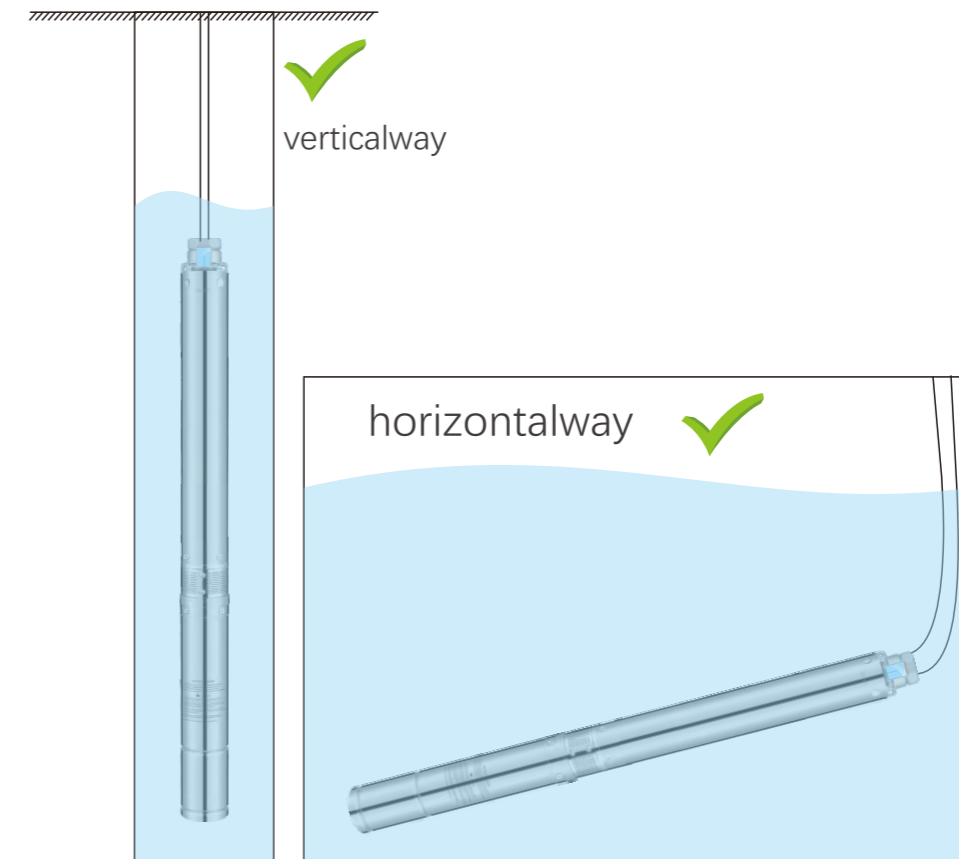
MODEL	Motor Power		Voltage (V)	Rated Flow (m³/h)	Rated Head (M)	Outlet (INCH)
	KW	HP				
4SD6-14/1.5KW/2HP	1.5	2	/	6	62	1.5"
4SD6-20/2.2KW/3HP	2.2	3	/	6	90	1.5"
4SD6-26/3KW/4HP	3	4	/	6	117	1.5"
4SD6-34/4KW/5.5HP	4	5.5	/	6	152	1.5"
4SD6-38/5.5KW/7.5HP	5.5	7.5	/	6	170	1.5"
4SD6-42/5.5KW/7.5HP	5.5	7.5	/	6	188	1.5"
4SD6-52/7.5KW/10HP	7.5	10	/	6	233	1.5"

4SD

PERFORMANCE DATA 50Hz

MODEL	Motor Power		Voltage (V)	Rated Flow (m³/h)	Rated Head (M)	Outlet (INCH)
	KW	HP				
4SD8-12/1.5KW/2HP	1.5	2	/	8	44	2"
4SD8-18/2.2KW/3HP	2.2	3	/	8	68	2"
4SD8-30/4KW/5.5HP	4	5.5	/	8	111	2"
4SD8-38/5.5KW/7.5HP	5.5	7.5	/	8	140	2"

Deep Well Pump Series Installation Method



Deep Well Pump Series

SR

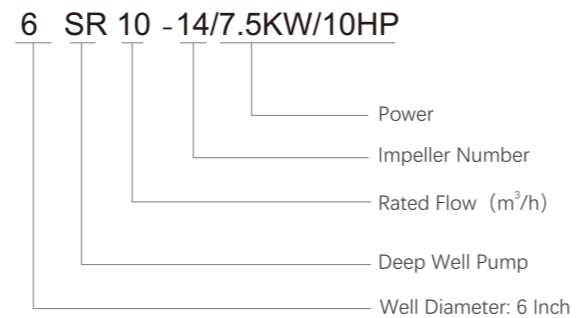


Applications

For water supply from wells or reservoirs.
For domestic use, for civil and industrial applications.
For garden use and irrigation.

Motor and Pump

Rewindable motor
Three-phase: 380V-415V/50Hz
Single-phase: 220V-240V/50Hz
Equip with start control box or digital auto-control box
NEMA dimension standards
Curve tolerance according to ISO 9906



PERFORMANCE DATA 50Hz

MODEL	Motor Power		Voltage (V)	Rated Flow (m³/h)	Rated Head (M)	Outlet (INCH)
	KW	HP				
6SR10-14/7.5KW/10HP	7.5	10	/	10	145	2.5"
6SR10-22/11KW/ 15HP	11	15	/	10	228	2.5"
6SR10-25/13KW/17.5HP	13	17.5	/	10	259	2.5"
6SR10-29/15KW/20HP	15	20	/	10	300	2.5"

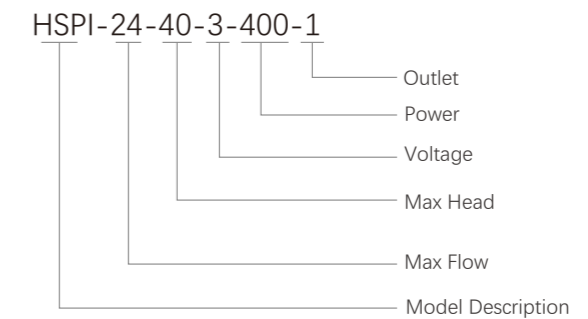
DC Brush Plastic Impeller Solar Pump Series

HSPI



Applications

Only use it for clean water
High lift and medium flow, fit for home use, drinking water



PERFORMANCE DATA 50Hz

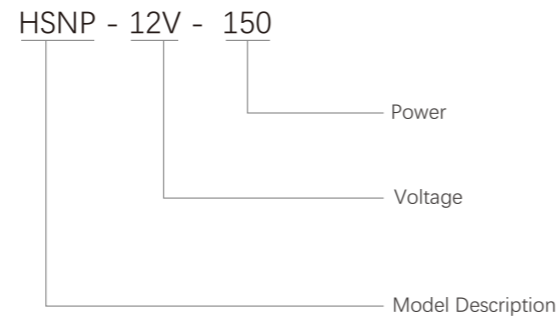
MODEL	Motor Power		Voltage (V)	Rated Flow (m³/h)	Rated Head (M)	Outlet (INCH)
	KW	HP				
HSPI-24-40-3-400-1	0.4	0.5	/	3	40	1"
HSPI-48-60-3-500-1	0.5	0.6	/	3	60	1"

HSNP



Applications

Only use it for clean water
Low lift, small flow, fit for home use, drinking water



PERFORMANCE DATA 50Hz

MODEL	Motor Power		Voltage (V)	Rated Flow (m ³ /h)	Rated Head (M)	Outlet (INCH)
	KW	HP				
HSNP-12V-150W	0.15	0.2	/	3	10	1"

6PSS

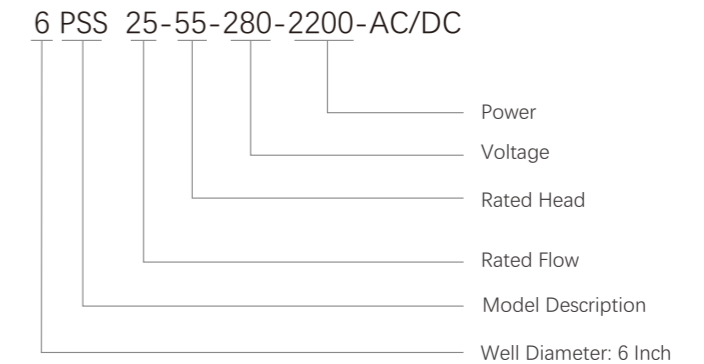


Applications

Water supply system
High- rise supercharging
Garden and farmland irrigation
Pumping ground water
Various industrial applications

Motor and Pump

Adopted the NEMA standard
Insulation class: E
Protection grade: IP 68
Highest temperature of liquid:35°C



PERFORMANCE DATA 50Hz

MODEL	Motor Power		Voltage (V)	Rated Flow (m ³ /h)	Rated Head (M)	Outlet (INCH)
	KW	HP				
6PSS25-55-280-2200-AC/DC	2.2	3	280	25	55	3"